



TOWNSHIP LOCATION MAP NO SCALE



EXISTING SITE PLAN NO SCALE

PROPOSED STOREFRONT & WINDOW REPLACEMENTS FOR: BUCKS COUNTY FREE LIBRARY YARDLEY BRANCH

1080 EDGEWOOD ROAD, YARDLEY, LOWER MAKEFIELD TOWNSHIP, PA 19067

— ARCHITECTURAL SHEETS —

- RHJ ASSOCIATES, P.C.**
CONTACT: MICHAEL HENRETTY, 302.528.4406
- A.0 – COVER SHEET – MAP / SITE PLAN / SHEET ENUMERATION / CODE REVIEW
 - AD.1 – WINDOW DEMOLITION LOCATION PLAN
 - A.1 – WINDOW LOCATION PLAN / TYPICAL WINDOW DETAIL
 - A.2 – DOOR SCHEDULE & HARDWARE SPECIFICATIONS / WINDOW SCHEDULE & SPECIFICATIONS

— BUILDING CODE REVIEW —

LOWER MAKEFIELD TOWNSHIP BUILDING CODE		PROJECT CODE SUMMARY:	
MUNICIPAL BUILDING CODE PA UCC – ADOPTED		EXISTING TOTAL LIBRARY FLOOR AREA:	±15,268 S.F.
2009 INTERNATIONAL EXISTING BUILDING CODE (IEBC) LEVEL 1 ALTERATION – STOREFRONT & WINDOW REPLACEMENT		USE:	*A-3* ASSEMBLY (LIBRARY)
2012 INTERNATIONAL BUILDING CODE (IBC), CHAPTER 11 – ACCESSIBILITY + APPENDIX E REFERENCED STANDARD: 2009 ICC/ANSI 117.1		CONSTRUCTION TYPE:	2B, NON-COMBUSTIBLE, UNPROTECTED
2009 INTERNATIONAL ENERGY CONSERVATION CODE (IECC)		SPRINKLER SYSTEM:	EXISTING NON-SPRINKLERED BLDG.
2015 INTERNATIONAL ENERGY CONSERVATION CODE (IECC) ADOPTED SECTIONS PER PA UCC		OCCUPANCY:	OFFICE & STACKS AREA: 134 PERSONS (1 PER 100 GROSS S.F.) READING AREA: 40 OCCUPANTS (1 PER 50 NET S.F.) 174 OCCUPANTS TOTAL (EXISTING – NO CHANGE)
		HEIGHT:	EXISTING 1-STORY BUILDING
		IECC CLIMATE ZONE:	4
		IECC REQUIREMENTS:	MAX. U-FACTOR – STOREFRONT SYSTEM = 0.50 MAX. U-FACTOR – ENTRANCE DOORS = 0.85 MAX. U-FACTOR – ALL OTHER (OPERABLE) = 0.55

PROPOSED STOREFRONT & WINDOW REPLACEMENTS FOR:
BUCKS COUNTY FREE LIBRARY
YARDLEY BRANCH – 1080 EDGEWOOD ROAD
YARDLEY, LOWER MAKEFIELD TOWNSHIP, BUCKS COUNTY, PENNSYLVANIA 19067

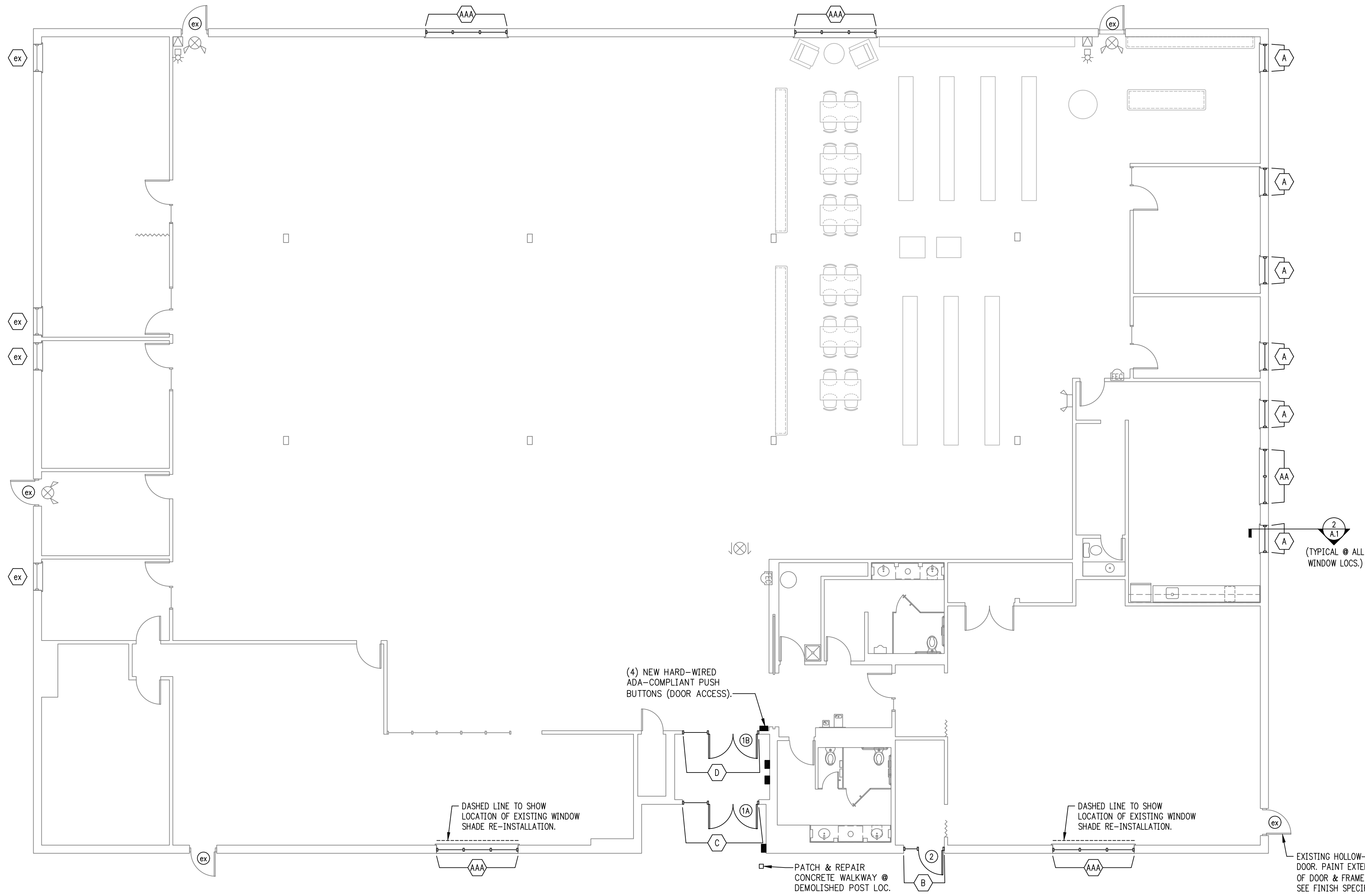
RHJ ASSOCIATES, P.C.
ARCHITECTS • PLANNERS • DESIGNERS
860 1ST AVE. SUITE 9A
KING OF PRUSSIA, PA 19406
610 337 4555
www.rhjassoc.com

ISSUED FOR BID
DATE: 06.17.2016

REVISIONS

A.0
2016-0124

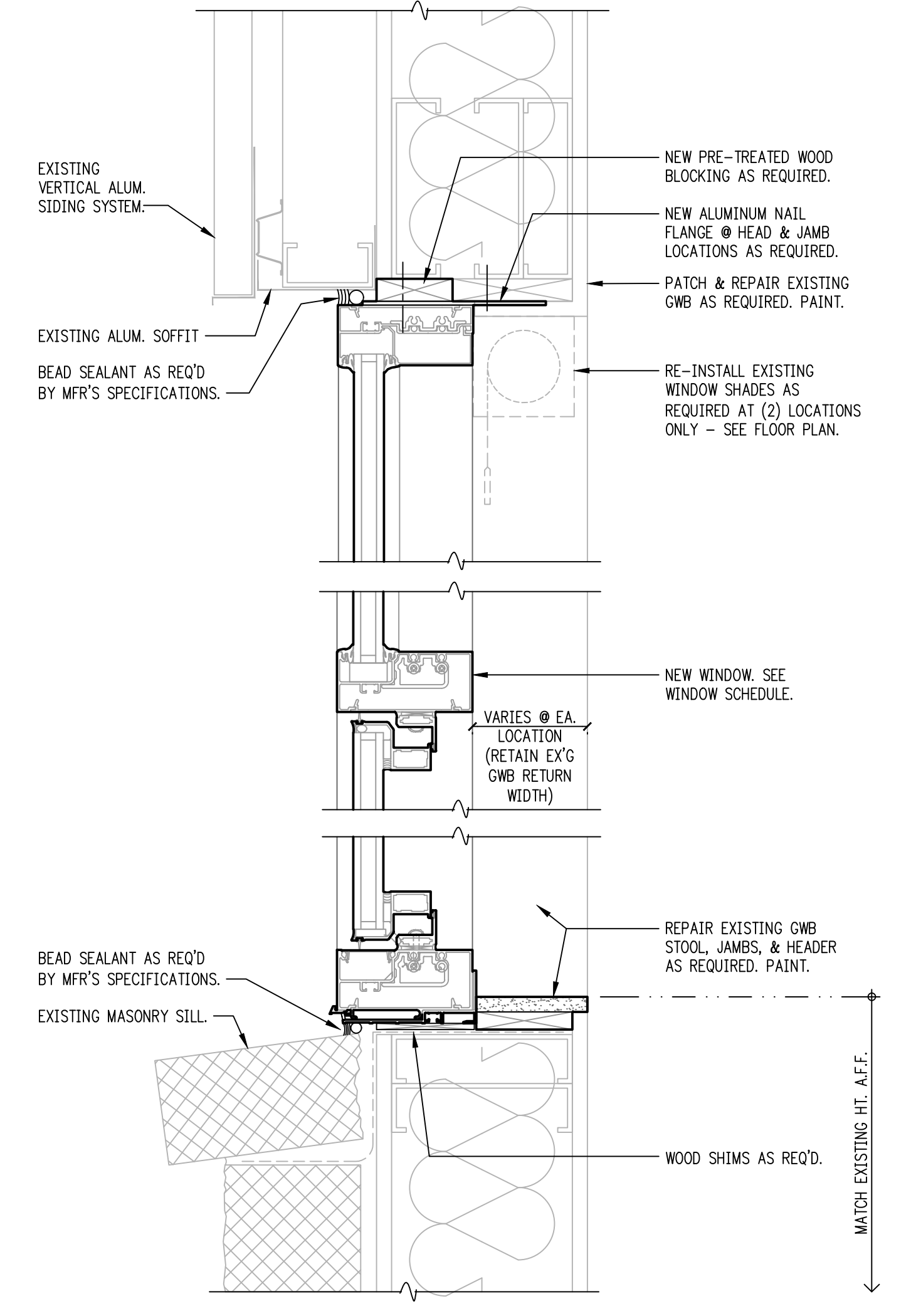
Y:\BCL\Yardley_Window_Replacement_2016-0124\Drawings\Re-Issued_Bldg_Set_06.17.2016\BCL_Yardley_Cover.dwg



1 WINDOW LOCATION PLAN

- PLAN SYMBOL LEGEND:**
- ① NEW DOOR I.D. - SEE DOOR SCHEDULE.
 - ex EXISTING DOOR I.D. - EXISTING HOLLOW-METAL EXIT DOOR. PAINT EXTERIOR FACES OF DOOR & FRAME. SEE FINISH SPECIFICATIONS.
 - A NEW WINDOW I.D. - SEE WINDOW SCHEDULE.
 - ex EXISTING WINDOW I.D. - EXISTING WINDOW UNIT.
- INTERIOR GWB WINDOW RETURN NOTE:**
- PATCH & REPAIR GWB STOOL, JAMBS, AND HEADERS AT ALL NEW WINDOW LOCATIONS AS REQUIRED. PAINT - MATCH EXISTING.
- INTERIOR WINDOW SHADE NOTE:**
- G.C. TO RE-INSTALL WINDOW SHADES AFTER NEW WINDOW INSTALLATIONS AS REQUIRED - @ 2 LOCS.
- WINDOW FLASHING NOTE:**
- G.C. TO INSTALL ALL FLASHING AND SEALANT AS REQUIRED BY MANUFACTURER'S SPECIFICATIONS.

SCALE: 1/8" = 1'-0"



2 TYPICAL WINDOW DETAIL

SCALE: 3" = 1'-0"

PROPOSED STOREFRONT & WINDOW REPLACEMENTS FOR:
BUCKS COUNTY FREE LIBRARY
 YARDLEY BRANCH - 1080 EDGEWOOD ROAD
 YARDLEY, LOWER MERIEN TOWNSHIP, BUCKS COUNTY, PENNSYLVANIA 19067

RHJ ASSOCIATES, P.C.
 ARCHITECTS • PLANNERS • DESIGNERS
 860 1ST AVE. SUITE 9A
 KING OF PRUSSIA, PA 19406
 610 337 4555
 www.rhjassoc.com

ISSUED FOR BID
 DATE: 06.17.2016

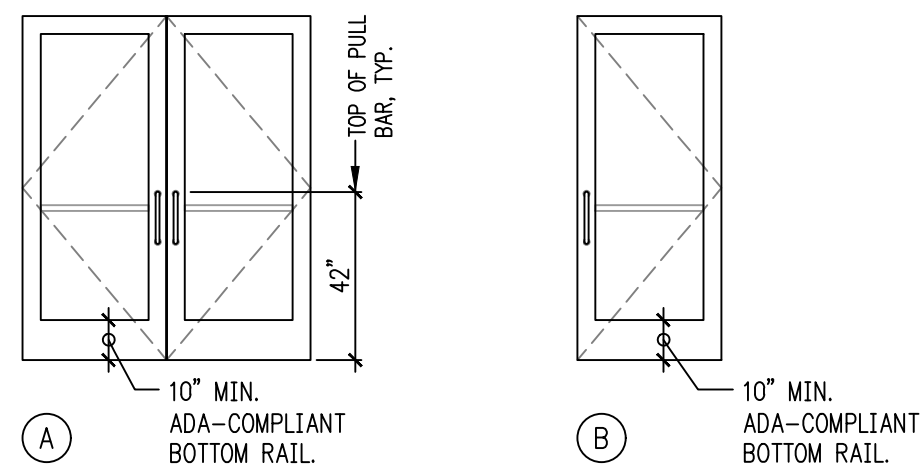
REVISIONS

A.1

DOOR SCHEDULE

NO.	SIZE	LOC.	DOOR			FRAME		HARDWARE	LOUVER SIZE	REMARKS
			MTRL.	CORE	FINISH	TYPE	MTRL.			
E ← EXISTING DOOR, FRAME, AND HARDWARE TO REMAIN →										
1A	2-3 ⁰ x7 ⁰ x1 ³ / ₄	ENTRANCE	ALUM.	GLAZ.	(TBD)	A	(SEE WINDOW SCHEDULE)	1A		RE-PAINT EXTERIOR FACES ONLY OF ALL EXISTING H.M. EXIT DOORS AND FRAMES. INTERIOR FACES OF ALL EXISTING HOLLOW-METAL EXIT DOORS AND FRAMES TO REMAIN.
1B	2-3 ⁰ x7 ⁰ x1 ³ / ₄	VESTIBULE	ALUM.	GLAZ.	(TBD)	A	(SEE WINDOW SCHEDULE)	1B		1/4" CLEAR, TEMPERED GLAZING.
2	3 ⁰ x7 ⁰ x1 ³ / ₄	EXIT	ALUM.	GLAZ.	(TBD)	B	(SEE WINDOW SCHEDULE)	2		1" INSULATED, TINTED, TEMPERED GLAZING.

NEW DOOR TYPES



DOOR HARDWARE SETS

- SET #1A (ENTRANCE DOORS):**
- 2 CONTINUOUS HINGES (ROTON)
 - 2 PULL-HANDLES (EXTERIOR-GRADE)
 - 2 PANIC DEVICES W/ CONCEALED VERTICAL RODS
 - 1 ADA-COMPLIANT, WALL-MOUNTED, EXTERIOR PUSH BUTTON (ENTER BLDG. - TIED TO BOTH SETS OF VESTIBULE DOORS)
 - 1 ELECTROMECHANICAL SWING DOOR OPERATOR - VESTIBULE ENTRY SYSTEM
 - 1 UPS
 - 1 CLOSER
 - 2 DOOR SWEEPS
 - 1 WEATHERSTRIPPING PACKAGE
 - 1 ADA-COMPLIANT THRESHOLD
 - 2 LEVER-EXTENSION FLUSH BOLTS
- SET #1B (VESTIBULE DOORS):**
- 2 CONTINUOUS HINGES (ROTON)
 - 2 PULL-HANDLES
 - 2 PUSH BARS
 - 1 CYLINDER KEYPED LOCK (W/ INTERIOR THUMBTURN)
 - 1 DEADBOLT W/ STRIKE PLATE
 - 1 ADA-COMPLIANT, WALL-MOUNTED, INTERIOR PUSH BUTTON (EXIT BLDG. - TIED TO BOTH SETS OF VESTIBULE DOORS)
 - 1 ELECTROMECHANICAL SWING DOOR OPERATOR - VESTIBULE ENTRY SYSTEM
 - 1 UPS
 - 1 CLOSER
 - 2 SILENCERS
 - 1 ADA-COMPLIANT THRESHOLD
 - 1 KICK-DOWN HOLD OPEN
 - 2 LEVER-EXTENSION FLUSH BOLTS
- SET #2:**
- 1 CONTINUOUS ROTON HINGE
 - 1 PANIC DEVICE W/ CONCEALED VERTICAL ROD
 - 1 CYLINDER KEYPED LOCK - EXTERIOR (PANIC DEVICE INTEGRATED)
 - 1 PULL-HANDLE (EXTERIOR-GRADE)
 - 1 CLOSER
 - 1 WEATHERSTRIPPING PACKAGE
 - 1 DOOR SWEEP
 - 1 ADA-COMPLIANT THRESHOLD
 - 1 KICK-DOWN HOLD OPEN
- HARDWARE NOTES:**
- SEE "HARDWARE SPECIFICATIONS" BELOW FOR ALL DOOR HARDWARE SPECIFICATIONS & FINISHES.

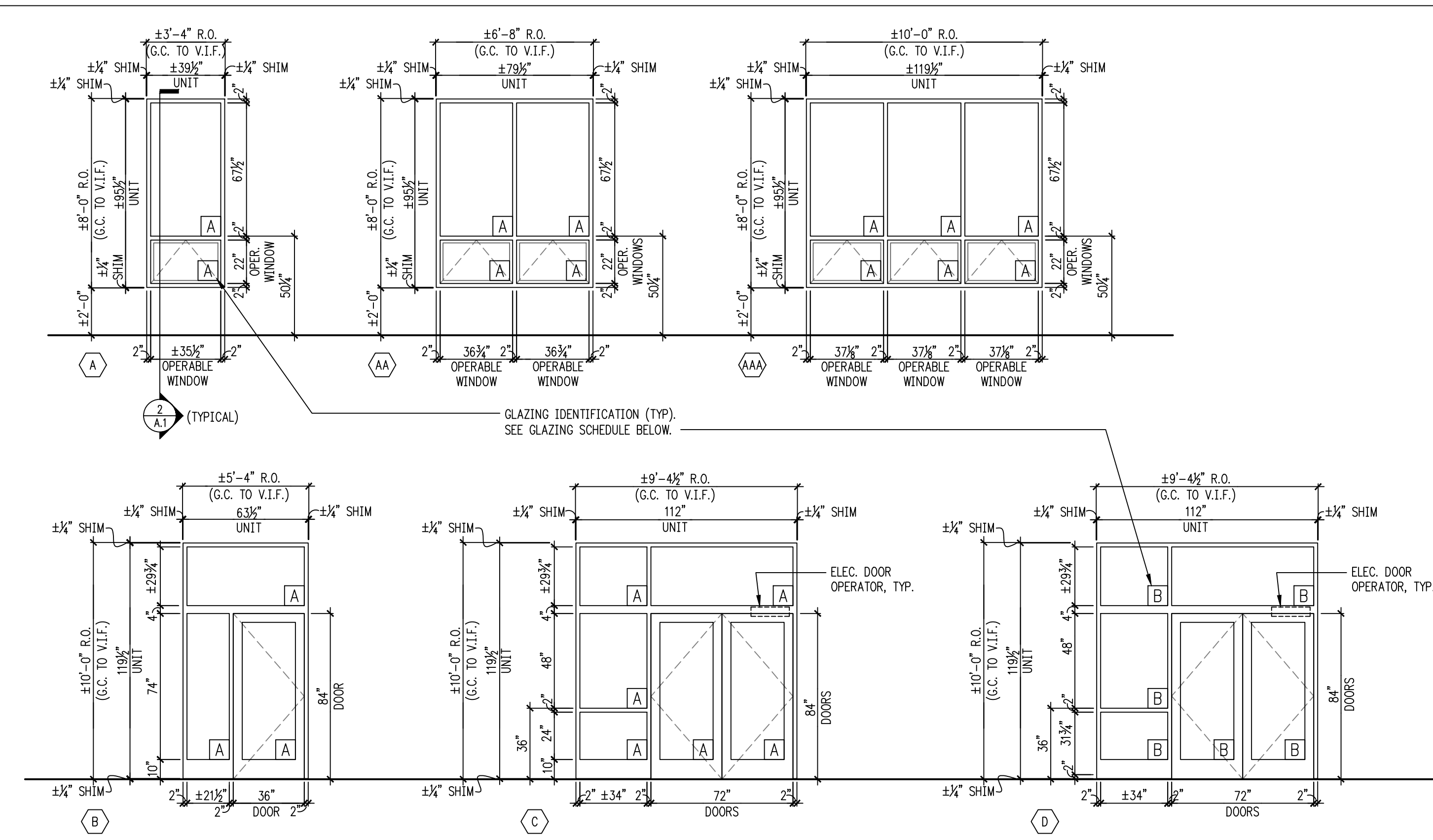
DOOR HARDWARE SPECIFICATIONS

- ADA REMOTE DOOR OPENER:**
- MANUFACTURER: STANLEY
 MODEL: MAGIC ACCESS OPERATOR
 TYPE: SURFACE-MOUNTED, DUAL OPERATORS ON PAIR DOORS
- OPTIONS:**
- INCLUDE PUSH BUTTON CONTROLS, POWER CLOSE MODULE, CONTINUOUS HEADER, ALL WIRING, & ALL CONNECTIONS.
- MOUNTING HT: MOUNT TOP OF PUSH BUTTON AT 48" A.F.F. MAX.
- CLOSERS (STANDARD):**
- MANUFACTURER: ALLEGION
 SERIES: LON 4110
 COVER TYPE: 4110-72WC, METAL
 FINISH: BLACK (RMA 693)
 CYLINDER: 4111
 OPTION: LON DROP PLATE, BLACK
 NOTE: ADAPTERS & SPACERS AS REQUIRED
- CYLINDER LOCK (KEYED) W/ THUMBTURN:**
- MANUFACTURER: SARGENT ASSA ABLOY
 SERIES: 8200 SERIES
 THUMBTURN: 130LB LARGE ROUND BACKPLATE, ADA-COMPLIANT
 OPTION: 10-OPTION SIGNATURE SERIES LARGE FORMAT INTERCHANGEABLE CORE BLACK (IF AVAILABLE)
 NOTE: @ VESTIBULE DOOR ONLY
- DOOR PULLS:**
- MANUFACTURER: ASSA ABLOY ROCKWOOD
 MODEL: 10" CTC DOOR PULL
 MODEL NO: 108
 MATERIAL: ALUMINUM
 FINISH: 315, BLACK ANODIZED
- DOOR SWEEPS:**
- MANUFACTURER: HAGER
 MODEL NO.: 8015
 MATERIAL: ALUMINUM
 FINISH: BLACK ANODIZED
- DOOR HOLD-OPEN, KICK DOWN:**
- MANUFACTURER: ASSA ABLOY ROCKWOOD
 MODEL: KICK DOWN DOOR STOP
 MODEL NO: 461L
 MATERIAL: SOLID CAST BRASS
 FINISH: US26D SATIN CHROME
- ELECTRIC POWER TRANSFER:**
- MANUFACTURER: VON DUPRIN
 MODEL #: EPT-10
- FLUSH BOLT:**
- MANUFACTURER: ROCKWOOD, ASSA ABLOY
 MODEL #: LEVER EXTENSION FLUSH BOLT
 FINISH: US26D SATIN CHROME
- HINGES, CONTINUOUS:**
- MANUFACTURER: ASSA ABLOY PEMKO
 MODEL: K_FM_HD
 MATERIAL: ALUMINUM
 FINISH: BLACK ANODIZED
- PANIC DEVICES:**
- MANUFACTURER: VON DUPRIN
 MODEL: 9899 SERIES
 LEVER STYLE: #06 LEVER DESIGN
 FINISH: BLACK, 315
 OPTIONS: (@ DOOR #2 ONLY - KEYED CYLINDER LOCK W. FULL SIZE INTERCHANGEABLE CORE)
- PUSH BARS:**
- MANUFACTURER: ASSA ABLOY ROCKWOOD
 MODEL: 1" DIA PUSH BAR
 MODEL NO: 47
 MATERIAL: ALUMINUM
 FINISH: 315, BLACK ANODIZED
- SILENCERS:**
- MANUFACTURER: ASSA ABLOY ROCKWOOD
 PRODUCT: DOOR SILENCER
 MODEL #: 608
 MATERIAL: DUREFLEX GRAY RUBBER
- THRESHOLDS:**
- MANUFACTURER: HAGER
 SERIES: 403S
 MATERIAL: ALUMINUM
 FINISH: CLEAR
- UPS:**
- MANUFACTURER: VON DUPRIN
 MODEL: PS 873
 OPTIONS: BATTERY, KEYLOCK
 NOTE: INCLUDE FIRE ALARM AND SECURITY FUNCTIONS AS REQUIRED
- WEATHERSTRIPPING:**
- MANUFACTURER: HAGER
 MODEL NO.: #803S
 MATERIAL: ALUMINUM
 FINISH: BLACK ANODIZED
- PAINT:**
- P-1 PAINT - EXIT DOORS, DOOR FRAMES, STEEL
 LINTELS
 MANUF.: SHERWIN WILLIAMS
 TYPE: PRO INDUSTRIAL DTM ACRYLIC
 COLOR: SW6258
 COLOR NAME: TRICORN BLACK
 FINISH: SEMI-GLOSS
- P-2 PAINT - WOOD TRIM
 MANUF.: SHERWIN WILLIAMS
 NOTES: (MATCH EXISTING)
- P-3 PAINT - WALL PAINT, TOUCH-UP
 MANUF.: SHERWIN WILLIAMS
 NOTES: (MATCH EXISTING)
- MANUFACTURER CONTACT INFO:
 MANUFACTURER: SHERWIN WILLIAMS
 NAME: SHELLY BEEKLEY
 PHONE NUMBER: 215.806.3579
 EMAIL: SHELLY.BEEKLEY@SHERWIN.COM

FINISH SPECIFICATIONS

- ADA REMOTE DOOR OPENER:**
- MANUFACTURER: STANLEY
 MODEL: MAGIC ACCESS OPERATOR
 TYPE: SURFACE-MOUNTED, DUAL OPERATORS ON PAIR DOORS
- OPTIONS:**
- INCLUDE PUSH BUTTON CONTROLS, POWER CLOSE MODULE, CONTINUOUS HEADER, ALL WIRING, & ALL CONNECTIONS.
- MOUNTING HT: MOUNT TOP OF PUSH BUTTON AT 48" A.F.F. MAX.
- CLOSERS (STANDARD):**
- MANUFACTURER: ALLEGION
 SERIES: LON 4110
 COVER TYPE: 4110-72WC, METAL
 FINISH: BLACK (RMA 693)
 CYLINDER: 4111
 OPTION: LON DROP PLATE, BLACK
 NOTE: ADAPTERS & SPACERS AS REQUIRED
- CYLINDER LOCK (KEYED) W/ THUMBTURN:**
- MANUFACTURER: SARGENT ASSA ABLOY
 SERIES: 8200 SERIES
 THUMBTURN: 130LB LARGE ROUND BACKPLATE, ADA-COMPLIANT
 OPTION: 10-OPTION SIGNATURE SERIES LARGE FORMAT INTERCHANGEABLE CORE BLACK (IF AVAILABLE)
 NOTE: @ VESTIBULE DOOR ONLY
- DOOR PULLS:**
- MANUFACTURER: ASSA ABLOY ROCKWOOD
 MODEL: 10" CTC DOOR PULL
 MODEL NO: 108
 MATERIAL: ALUMINUM
 FINISH: 315, BLACK ANODIZED
- DOOR SWEEPS:**
- MANUFACTURER: HAGER
 MODEL NO.: 8015
 MATERIAL: ALUMINUM
 FINISH: BLACK ANODIZED
- DOOR HOLD-OPEN, KICK DOWN:**
- MANUFACTURER: ASSA ABLOY ROCKWOOD
 MODEL: KICK DOWN DOOR STOP
 MODEL NO: 461L
 MATERIAL: SOLID CAST BRASS
 FINISH: US26D SATIN CHROME
- ELECTRIC POWER TRANSFER:**
- MANUFACTURER: VON DUPRIN
 MODEL #: EPT-10
- FLUSH BOLT:**
- MANUFACTURER: ROCKWOOD, ASSA ABLOY
 MODEL #: LEVER EXTENSION FLUSH BOLT
 FINISH: US26D SATIN CHROME
- HINGES, CONTINUOUS:**
- MANUFACTURER: ASSA ABLOY PEMKO
 MODEL: K_FM_HD
 MATERIAL: ALUMINUM
 FINISH: BLACK ANODIZED
- PANIC DEVICES:**
- MANUFACTURER: VON DUPRIN
 MODEL: 9899 SERIES
 LEVER STYLE: #06 LEVER DESIGN
 FINISH: BLACK, 315
 OPTIONS: (@ DOOR #2 ONLY - KEYED CYLINDER LOCK W. FULL SIZE INTERCHANGEABLE CORE)
- PUSH BARS:**
- MANUFACTURER: ASSA ABLOY ROCKWOOD
 MODEL: 1" DIA PUSH BAR
 MODEL NO: 47
 MATERIAL: ALUMINUM
 FINISH: 315, BLACK ANODIZED
- SILENCERS:**
- MANUFACTURER: ASSA ABLOY ROCKWOOD
 PRODUCT: DOOR SILENCER
 MODEL #: 608
 MATERIAL: DUREFLEX GRAY RUBBER
- THRESHOLDS:**
- MANUFACTURER: HAGER
 SERIES: 403S
 MATERIAL: ALUMINUM
 FINISH: CLEAR
- UPS:**
- MANUFACTURER: VON DUPRIN
 MODEL: PS 873
 OPTIONS: BATTERY, KEYLOCK
 NOTE: INCLUDE FIRE ALARM AND SECURITY FUNCTIONS AS REQUIRED
- WEATHERSTRIPPING:**
- MANUFACTURER: HAGER
 MODEL NO.: #803S
 MATERIAL: ALUMINUM
 FINISH: BLACK ANODIZED
- PAINT:**
- P-1 PAINT - EXIT DOORS, DOOR FRAMES, STEEL
 LINTELS
 MANUF.: SHERWIN WILLIAMS
 TYPE: PRO INDUSTRIAL DTM ACRYLIC
 COLOR: SW6258
 COLOR NAME: TRICORN BLACK
 FINISH: SEMI-GLOSS
- P-2 PAINT - WOOD TRIM
 MANUF.: SHERWIN WILLIAMS
 NOTES: (MATCH EXISTING)
- P-3 PAINT - WALL PAINT, TOUCH-UP
 MANUF.: SHERWIN WILLIAMS
 NOTES: (MATCH EXISTING)
- MANUFACTURER CONTACT INFO:
 MANUFACTURER: SHERWIN WILLIAMS
 NAME: SHELLY BEEKLEY
 PHONE NUMBER: 215.806.3579
 EMAIL: SHELLY.BEEKLEY@SHERWIN.COM

WINDOW SCHEDULE



DOOR, STOREFRONT, & WINDOW SPECS

- STOREFRONT DOOR SPECIFICATIONS:**
- MFR: KAWNEER
 MATERIAL: ALUMINUM
 TYPE: STANDARD 500 SERIES
 FINISH: BLACK ANODIZED
 U-FACTOR: 0.85 MAX.
- STOREFRONT FRAME SPECIFICATIONS:**
- MFR: KAWNEER
 MODEL: VERSAGLAZE 451t
 PANE TYPE: FRONT-PANED
 FINISH: PERMADONIC ANODIZED
 COLOR: BLACK
 MULLION: 2" TH. (TYP)
- OPERABLE WINDOW UNIT SPECIFICATIONS:**
- MFR: KAWNEER
 MODEL: GLASSvent UT
 MODEL #: AW-PC90-C
 FRAME FINISH: PERMADONIC ANODIZED
 FRAME COLOR: BLACK
 FRAME DEPTH: 4 3/8"
 HARDWARE: BLACK ANODIZED
 OPERATION: AWNING (OPEN OUTWARD)
 OPTION: INSECT SCREEN @ EACH LOC.

GLAZING SCHEDULE

- A** 1" INSULATED, TEMPERED & TINTED
- B** 1/4" CLEAR TEMPERED
- MFR: PPG
 PRODUCT: SOLARGRAY + SOLARBAN 60
 PANE CONFIG: OB - 1/4" SOLARGRAY TEMPERED
 AS - 1/2" CLEAR SPACER, AIR
 IB - 1/4" CLEAR TEMPERED SOLARBAN 60 (#3)
- TINT COLOR: GRAY
 U-FACTOR: 0.27 MAX.

PROPOSED STOREFRONT & WINDOW REPLACEMENTS FOR:
BUCKS COUNTY FREE LIBRARY
 YARDLEY BRANCH - 1080 EDGEWOOD ROAD
 YARDLEY, LOWER MERIEN TOWNSHIP, BUCKS COUNTY, PENNSYLVANIA 19087

RHJ ASSOCIATES, P.C.
 ARCHITECTS • PLANNERS • DESIGNERS
 860 1ST AVE. SUITE 9A
 KING OF PRUSSIA, PA 19406
 610 337 4555
 www.rhjassoc.com

ISSUED FOR BID
 DATE: 06.17.2016
 REVISIONS

A.2
 2016-0124